



6490



52040



CW403 & CW404

CLEGHORN WARING



REPLACING

a **JABSCO**

6490-series PUMP

with a **JABSCO**

52040-series

Jabsco 6490-series bronze engine-cooling pumps have been obsolete for some years. Spare parts for these pumps are no longer available.

The equivalent Jabsco pump in current production is model 52040-2001. This pump is available, fitted with a pulley, from Cleghorn Waring, under the model numbers shown in the table.

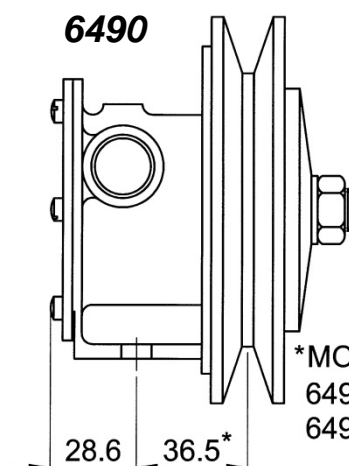
Xylem Water Solutions UK Ltd
Bingley Road
Hoddesdon
Hertfordshire • EN11 0BU • UK

Tel: +44 (0)1462 480380
Fax: +44 (0)1462 482422
mail@cleghorn.co.uk
www.jabscoshop.com

xylem
Let's Solve Water

DOC580/11

| Original pump model number | Replacement pump model number. | ⚠ ⚠ Important |
|----------------------------------|--|--|
| 6490-252 6490-222 | CW403 with 127mm (5") dia pulley (for A- or B-section belt) | Pump mounting and pulley drive need no alteration. Use rear pair of bolt slots in the new pump's pedestal. |
| 6490-253 6490-223 | CW404 with 159mm (6¼") dia pulley (for A- or B-section belt) | Variations in the plane of the pulley drive on some engines may require enlargement of pedestal bolt slots in the new pump |
| 6490-132 6490-210 6490-231 | NONE | These variations of the 6490 pump cannot be replaced with CW403 or CW404. Contact the Sales Office for advice |



*MODELS
6490-222
6490-252

CW403

